



Undermount Model

Double Bowl Sink


RCFU3119L / RCFU3119R

RCFU103119L / RCFU103119R

Specifications

FEATURES:

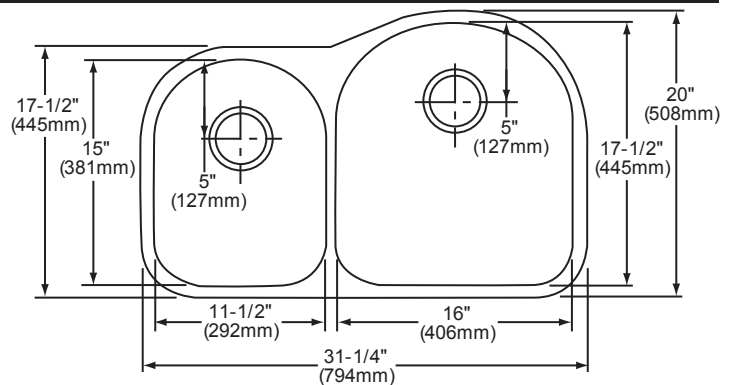
- 18 (1.2mm) gauge nickel-bearing stainless steel
- 8" (203mm) deep
- Satin finish
- 3-1/2" (89mm) drain opening
- Sound dampening pad with spray undercoating
- Suffix L (left) or R (right) denotes location of the small bowl
- Minimum cabinet size: 36" (914mm)
- Sink complies with ASME A112.19.3-2008 / CSA B45.4-08

 These sinks are listed by the International Association of Plumbing and Mechanical Officials as meeting the requirements of the Uniform Plumbing Code and the National Plumbing Code of Canada.

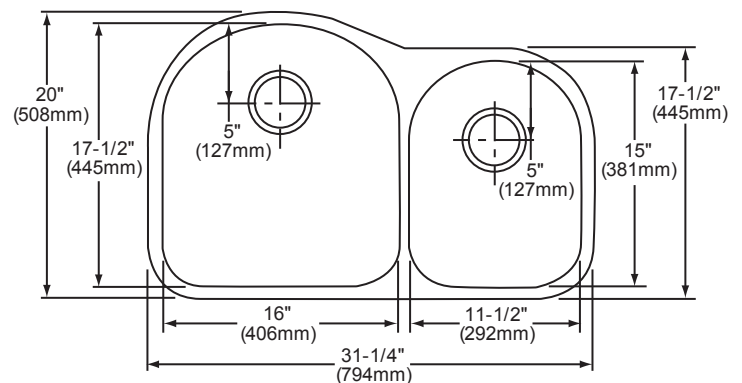
RCFU103119L/RCFU103119R sink is nested 10 units per shipping container and must be ordered in multiples of 10.

OPTIONAL ACCESSORIES:

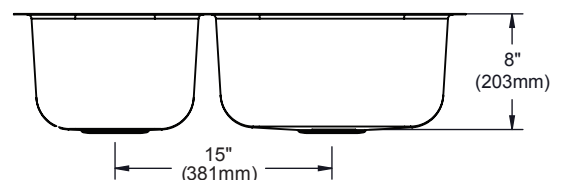
- Bottom Grid: GOBG1617SS (large bowl), GOBG1115SS (small bowl)
- Drain: S1
- Mounting Clip: RVUCLIP8 (2 packages required)
- Template: 64180273 (for both L or R model)



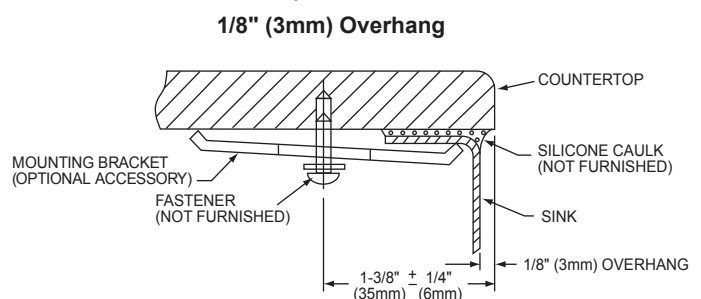
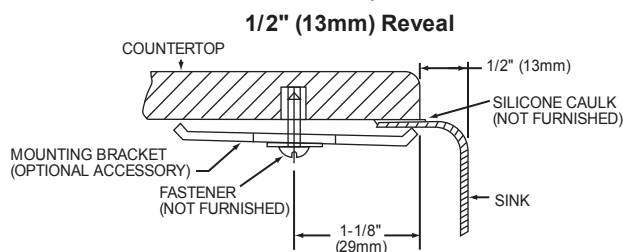
RCFU3119L/RCFU103119L Illustrated



RCFU3119R/RCFU103119R Illustrated



Electronic Dual Template Mounting Option (Download DXF File from www.reveresink.com)



NOTE: THIS UNDERMOUNT SINK IS DESIGNED TO MOUNT TO SOLID SURFACE (NON-LAMINATE) COUNTERTOP ONLY.

In keeping with our policy of continuing product improvement, Revere reserves the right to change product specifications without notice.

This specification describes a Revere product with design, quality and functional benefits to the user. When making a comparison of other producers' offerings, be certain these features are not overlooked.

Revere • 2222 Camden Ct. • Oak Brook, IL 60523 • reveresink.com • Tel: (800) 225-8585 • Fax: (630) 645-4447



Undermount Model
Double Bowl Sink
RCFU3119L / RCFU3119R
RCFU103119L / RCFU103119R

Packages

SINK PACKAGE:

RCFU3119LDF includes: (1) Sink - RCFU3119L, (1) Faucet - LK1501CR, and (2) Drains.

RCFU313119RDF includes: (1) Sink - RCFU313119R, (1) Faucet - LK1501CR, and (2) Drains.

RCFU313119LDFBG includes: (1) Sink - RCFU313119L, (1) Faucet - LK5000CR, (1) Bottom Grid - GOBG1617SS, and (2) Drains.

RCFU313119RDFBG includes: (1) Sink - RCFU313119R, (1) Faucet - LK5000CR, (1) Bottom Grid - GOBG1617SS, and (2) Drains.

FAUCET FEATURES:

LK1501CR

- Chrome finished, single-lever kitchen faucet with side spray.
- Flexible supply tubes with 1/2" (13mm) male IPS adapters.
- Two 1 3/8" diameter faucet holes required.

LK5000CR

- Chrome finished, single-lever kitchen faucet with pull-down spray.
- Braided stainless steel supply lines.
- Three 1 3/8" diameter faucet holes required.

Max counter thickness: 2.5" (63mm).

Faucets comply with: ADA, ANSI/NSF61, ASME A112.18.1/CSA B125.1, cUPC, CA AB1953

Faucet flow rate: 1.5 GPM/5.7 L/min at 60 P.S.I.G.

BOTTOM GRID FEATURES:

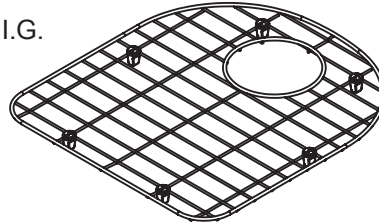
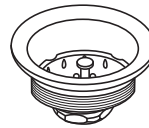
- Nickel-bearing stainless steel
- Bright finish
- Dishwasher safe

DRAIN FEATURES:

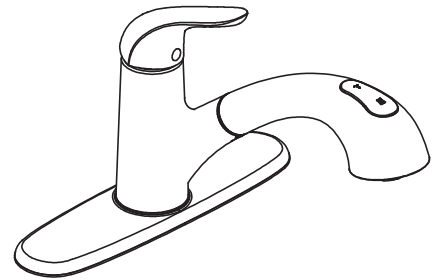
- Stainless steel body and strainer.
- Fits 3-1/2" (89mm) opening.



LK1501



GOBG1617SS



LK5000