



Undermount Model Single Bowl RCFU2816 RCFU102816

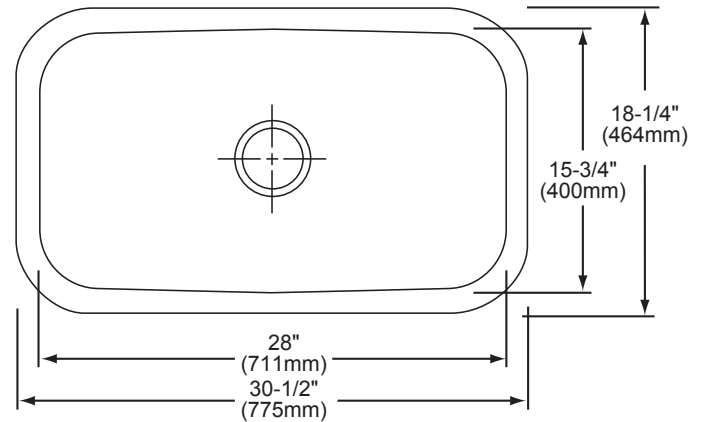
Specifications

FEATURES:

- 18 (1.2mm) gauge nickel-bearing stainless steel
- 8" (203mm) deep
- Satin finish
- 3-1/2" (89mm) drain opening
- Sound dampening pad with spray undercoating
- Minimum cabinet size: 36" (914mm)
- Sink complies with ASME A112.19.3-2008 / CSA B45.4-08



These sinks are listed by the International Association of Plumbing and Mechanical Officials as meeting the requirements of the Uniform Plumbing Code and the National Plumbing Code of Canada.

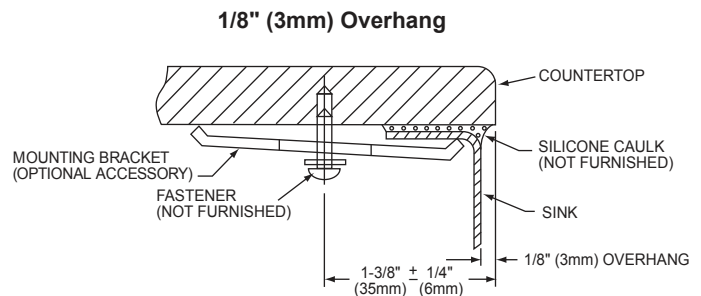
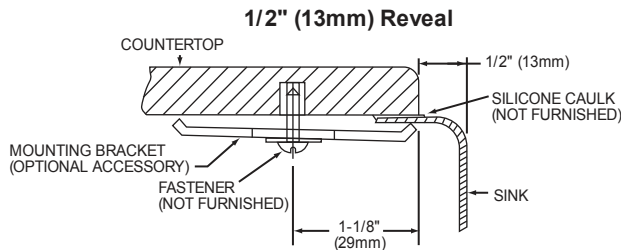


RCFU102816 sink is nested 10 units per shipping container and must be ordered in multiples of 10.

OPTIONAL ACCESSORIES:

- Bottom Grid: GBG2816SS
- Drain: S1
- Mounting Clip: RVUCLIP8 (2 packages required)
- Template: 64180272

Electronic Dual Template Mounting Option (Download DXF File from www.reveresink.com)



NOTE: THIS UNDERMOUNT SINK IS DESIGNED TO MOUNT TO SOLID SURFACE (NON-LAMINATE) COUNTERTOP ONLY.

In keeping with our policy of continuing product improvement, Revere reserves the right to change product specifications without notice.

This specification describes a Revere product with design, quality and functional benefits to the user. When making a comparison of other producers' offerings, be certain these features are not overlooked.

Revere • 2222 Camden Ct. • Oak Brook, IL 60523 • reveresink.com • Tel: (800) 225-8585 • Fax: (630) 645-4447