



Undermount Model Single Bowl RCFU1210 RCFU101210

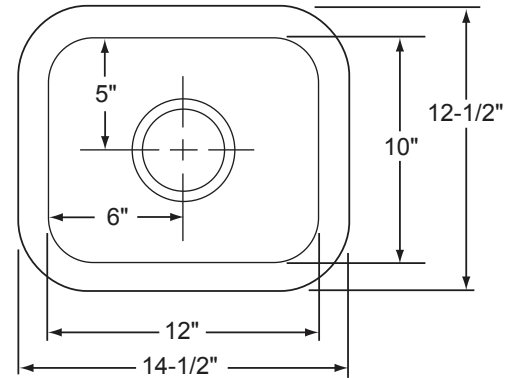
Specifications

FEATURES:

- 18 gauge nickel-bearing stainless steel
- 6-1/2" deep
- Satin finish
- 3-1/2" drain opening
- Sound dampening pad with spray undercoating
- Minimum cabinet size: 18"
- Sink complies with ASME A112.19.3-2008 / CSA B45.4-08



These sinks are listed by the International Association of Plumbing and Mechanical Officials as meeting the requirements of the Uniform Plumbing Code and the National Plumbing Code of Canada.

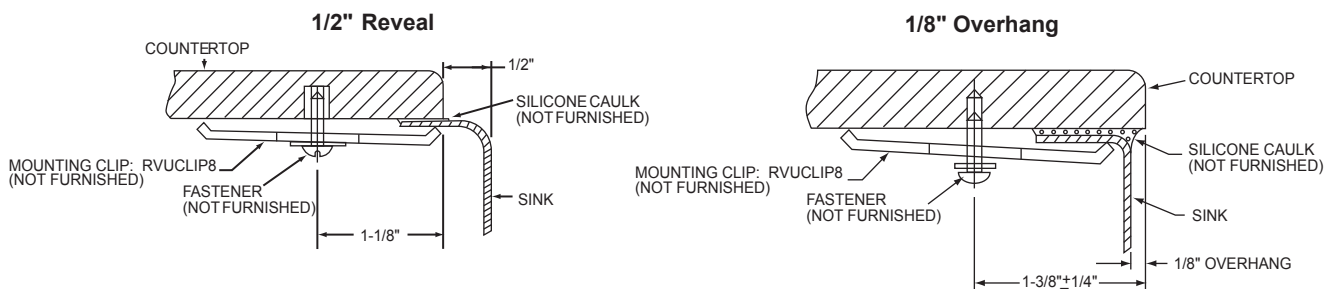


RCFU101210 sink is nested 10 units per shipping container and must be ordered in multiples of 10.

OPTIONAL ACCESSORIES:

- Drain: S1
- Mounting Clip: RVUCLIP8
- Template: 64180270

Electronic Dual Template Mounting Option (Download DXF File from www.reveresink.com)



NOTE: THIS UNDERMOUNT SINK IS DESIGNED TO MOUNT TO SOLID SURFACE (NON-LAMINATE) COUNTERTOP ONLY.

ALL DIMENSIONS IN INCHES, TO CONVERT TO MILLIMETERS MULTIPLY BY 25.4.

In keeping with our policy of continuing product improvement, Revere reserves the right to change product specifications without notice.

This specification describes a Revere product with design, quality and functional benefits to the user. When making a comparison of other producers' offerings, be certain these features are not overlooked.