



# Undermount Model

# Double Bowl Sink

## RCFU3118

## RCFU103118

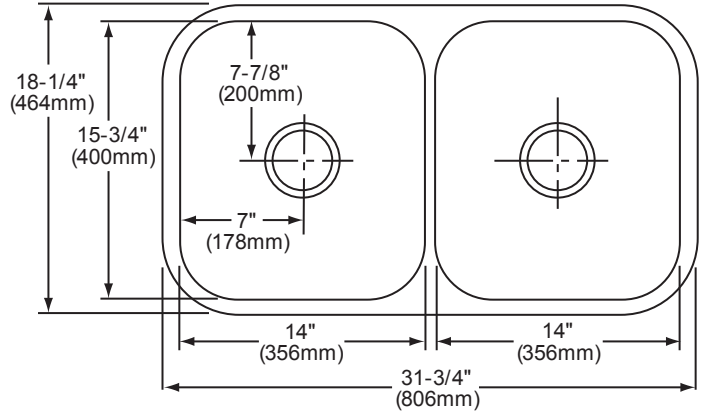
## Specifications

### FEATURES:

- 18 (1.2mm) gauge nickel-bearing stainless steel
- 8" (203mm) deep
- Satin finish
- 3-1/2" (89mm) drain opening
- Sound dampening pad with spray undercoating
- Minimum cabinet size: 36" (914mm)
- Sink complies with ASME A112.19.3-2008 / CSA B45.4-08



These sinks are listed by the International Association of Plumbing and Mechanical Officials as meeting the requirements of the Uniform Plumbing Code and the National Plumbing Code of Canada.

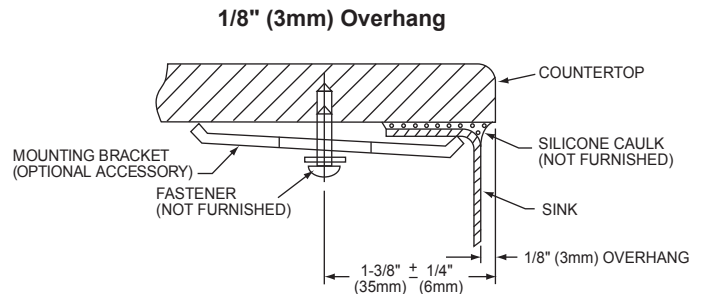
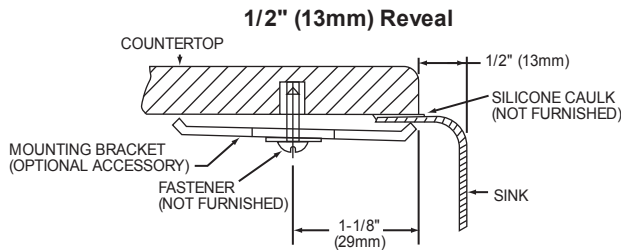


**RCFU103118** sink is nested 10 units per shipping container and must be ordered in multiples of 10.

### OPTIONAL ACCESSORIES:

- Bottom Grid: GBG1415SS
- Drain: S1
- Mounting Clip: RVUCLIP8 (2 packages required)
- Template: 64180281

### Electronic Dual Template Mounting Option (Download DXF File from [www.reveresink.com](http://www.reveresink.com))



**NOTE: THIS UNDERMOUNT SINK IS DESIGNED TO MOUNT TO SOLID SURFACE (NON-LAMINATE) COUNTERTOP ONLY.**

In keeping with our policy of continuing product improvement, Revere reserves the right to change product specifications without notice.

This specification describes a Revere product with design, quality and functional benefits to the user. When making a comparison of other producers' offerings, be certain these features are not overlooked.

Revere • 2222 Camden Ct. • Oak Brook, IL 60523 • [reveresink.com](http://reveresink.com) • Tel: (800) 225-8585 • Fax: (630) 645-4447



# Undermount Model Double Bowl Sink RCFU3118 RCFU103118

## Packages

### SINK PACKAGE:

RCFU2115DF includes: (1) Sink - RCFU3118, (1) Faucet - LK1501CR, and (2) Drains.

RCFU2115DFBG includes: (1) Sink - RCFU3118, (1) Faucet - LK5000CR, (1) Bottom Grid - GBG1415SS, and (2) Drains.

### FAUCET FEATURES:

#### LK1501CR

- Chrome finished, single-lever kitchen faucet with side spray.
- Flexible supply tubes with 1/2" (13mm) male IPS adapters.
- Two 1 3/8" diameter faucet holes required.

#### LK5000CR

- Chrome finished, single-lever kitchen faucet with pull-down spray.
- Braided stainless steel supply lines.
- Three 1 3/8" diameter faucet holes required.

Max counter thickness: 2.5" (63mm).

Faucets comply with: ADA, ANSI/NSF61, ASME A112.18.1/CSA B125.1, cUPC, CA AB1953

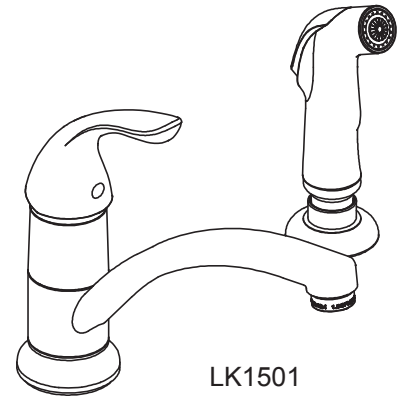
Faucet flow rate: 1.5 GPM/5.7 L/min at 60 P.S.I.G.

### BOTTOM GRID FEATURES:

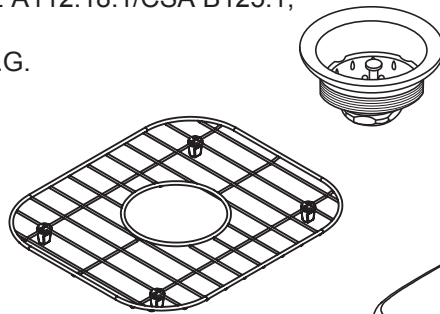
- Nickel-bearing stainless steel
- Bright finish
- Dishwasher safe

### DRAIN FEATURES:

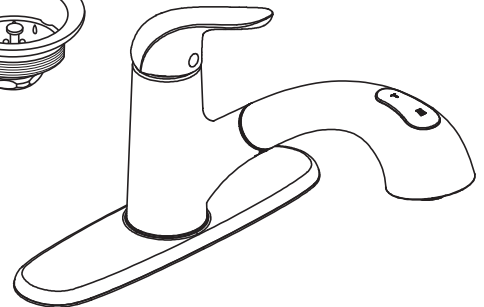
- Stainless steel body and strainer.
- Fits 3-1/2" (89mm) opening.



LK1501



GBG1415SS



LK5000