

# Undermount Model Single Bowl Sink DPU2118

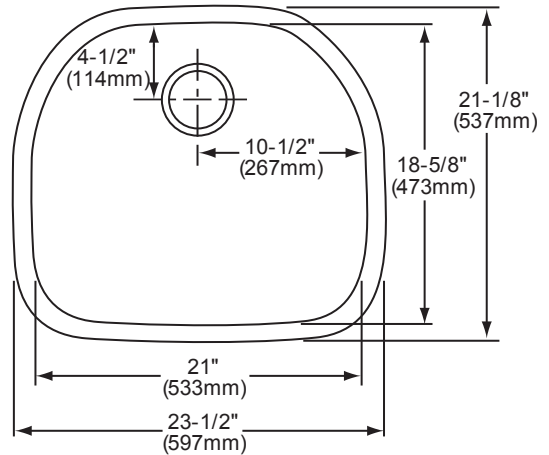
## Specifications

### FEATURES:

- 18 (1.2mm) gauge nickel-bearing stainless steel
- 8" (203mm) deep
- Satin finish
- 3-1/2" (89mm) drain opening
- Sound dampening pad with spray undercoating
- Dual mount template
- Minimum cabinet size: 27" (686mm)
- Sink complies with ASME A112.19.3-2008 / CSA B45.4-08.



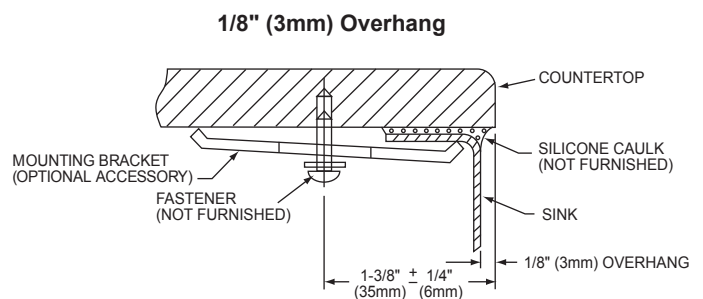
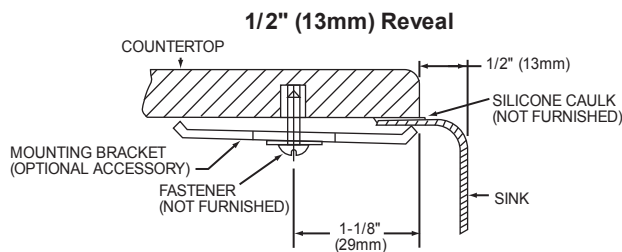
These sinks are listed by the International Association of Plumbing and Mechanical Officials as meeting the requirements of the Uniform Plumbing Code and the National Plumbing Code of Canada.



### OPTIONAL ACCESSORIES:

- Bottom Grid: GOBG2118SS
- Drain: S1
- Mounting Brackets: RVUCLIP8 (2)

### Dual Template Mounting Option



**NOTE: THIS UNDERMOUNT SINK IS DESIGNED TO MOUNT TO SOLID SURFACE (NON-LAMINATE) COUNTERTOP ONLY.**

*In keeping with our policy of continuing product improvement, we reserve the right to change product specifications without notice.*