



# Revere Granite Single Bowl Sink RVGU2522 Series

## Specifications

### FEATURES:

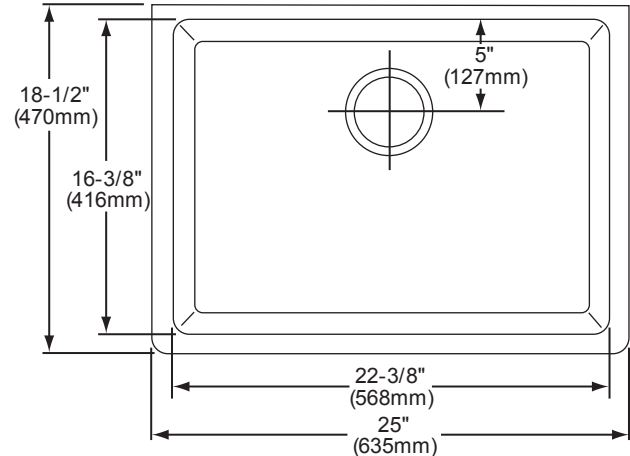
- Undermount
- Revere granite material
- 9-1/2" (241mm) deep
- 3/8" (10mm) rim height
- Color Options with natural accents:  
Black (BK), Bisque (BQ), Brown (BR), or  
White (WH)
- 3-1/2" (89mm) drain opening
- Minimum cabinet size: 30" (762mm)
- Sink complies with ANSI Z124.6 and  
CSA B45-02



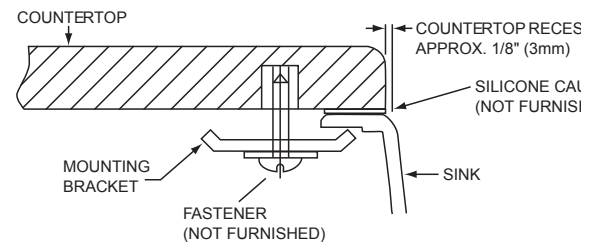
These sinks are listed by the International Association of Plumbing and Mechanical Officials as meeting the requirements of the Uniform Plumbing Code and the National Plumbing Code of Canada.

### OPTIONAL ACCESSORIES:

- Drains: S1



### Undermount Installation



*In keeping with our policy of continuing product improvement, Revere reserves the right to change product specifications without notice.*

*This specification describes a Revere product with design, quality and functional benefits to the user. When making a comparison of other producers' offerings, be certain these features are not overlooked.*

Revere • 2222 Camden Ct. • Oak Brook, IL 60523 • [reversesink.com](http://reversesink.com) • Tel: (800) 225-8585 • Fax: (630) 645-4447